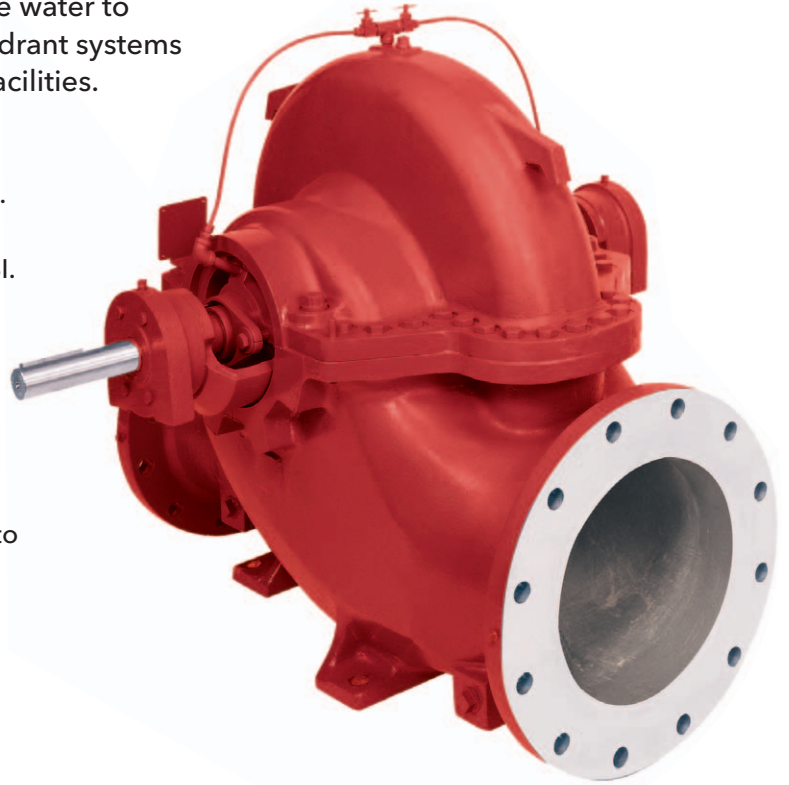


The 8100 Series Fire Pump is designed to provide water to stand pipe, sprinkler, chemical mitigation and hydrant systems for fire suppression in industrial and commercial facilities.

Features & Benefits

- Available in capacities up to 3,000 GPM (681 m³/hr).
- Pressures up to 255 PSI (179 m)
- In compliance with NFPA #20, UL, ULC, FM and ANSI.
- Performance and hydrostatic tests.
- Dynamic balance impellers.
- Space saving design.
- Easy maintenance and upkeep.
- Available in electric or diesel engine driven models.
- Standard construction: cast iron, bronze fitted.
- Clockwise or counterclockwise rotation is available to simplify pump room layout.
- Packed stuff box.
- Grease lubrication.
- Available in 50 or 60 cycle.
- Suction and discharge flanges are on a common centerline.

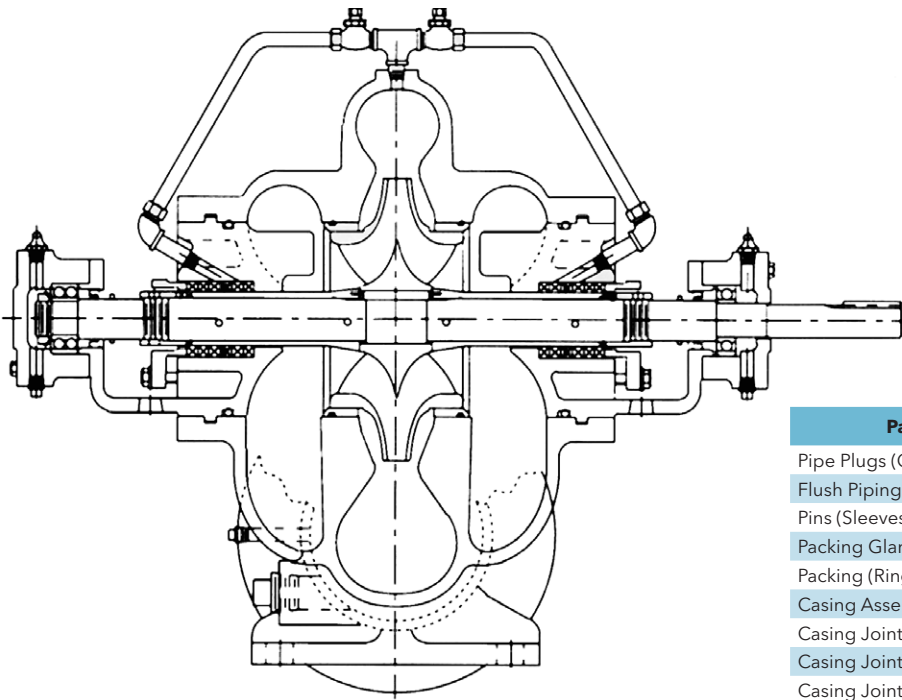


NOTE: This product is not intended for potable water applications

Fire Pumps Series 8100

**AC FIRE
PUMP**
a xylem brand

Series 8100



Pump Size

3x2x11F-S	
6x4x9F	
6x4x10F-M	■
6x4x11F	● ■
6x4x12F-M	
6x6x9F	
8x6x9F	
8x6x10F	■
8x6x12F-S	
8x6x12F-M	● ■
8x6x13F	
8x6x18F	
8x8x12F	
8x8x17F	
10x8x17F-S	
10x8x17F-L	
10x8x20F-S	
10x8x20F-L	●
12x10x18F	●

- = Pumps that use Steel (SAE 4140) shafts.
- = Pumps that use TFE Impregnated Acrylic Yarn
- * = Casings for pump sizes with "H" prefix will be made from Ductile Iron (ASTM A536 Grade 65-45-12) & Casing Joint Bolts will be Steel (Grade 8).

Part Name	Basic Construction Cast Iron, Bronze Fitted
Pipe Plugs (Casing)	Brass
Flush Piping	Copper
Pins (Sleeves)	302 Stainless Steel
Packing Glands	Bronze (ASTM B584-932)
Packing (Rings)	Graphite Impregnated Acrylic Yarn
Casing Assembly	Cast Iron (ASTM a48 Class 35A)*
Casing Joint Gasket (Suction)	Paper (Vellumoid 505)
Casing Joint Gasket (Discharge)	Paper (Vellumoid 505)
Casing Joint Bolts	Steel (Grade 5)
Dowel Pins (Casing)	Steel
Casing rings	Bronze (ASTM B584-932)
Shaft	Steel (SAE 1045)
Shaft Sleeves	Bronze (ASTM B584-932)
Shaft Sleeve Nuts	Bronze (ASTM B584-932)
Bearing Housing (Inboard)	Cast Iron (ASTM a48 Class 25A)
Bearing Housing (Outboard)	Cast Iron (ASTM a48 Class 25A)
Ball Bearing (Inboard)	Steel
Ball Bearing (Outboard)	Steel
Stuffing Boxes (Packing)	Cast Iron (ASTM a48 Class 25A)
Deflectors	Rubber (Buna "N")
Lip Seals (Bearing)	Rubber (Buna "N")
Locknut (Bearing)	Steel
Lockwasher (Bearing)	Steel
Set Screws	316 Stainless Steel
Cap Screw (Bearing Housing)	Steel (Grade 2)
Cap Screw (Gland)	Steel (Grade 2)
Grease Fittings (Bearing)	Steel
Pipe Plugs (Bearing Housing)	Steel
Key (Impeller)	Steel
Key (Coupling)	Steel
O-ring (Stuffing Box)	Rubber (Buna "N")
O-ring (Casing)	Rubber (Buna "N")
O-ring (Shaft Sleeve)	Rubber (Buna "N")
Spirol Pins (Stuffing Box)	304 Stainless Steel
Spirol Pins (Casing Ring)	304 Stainless Steel
Impeller	Bronze (ASTM B584-876)
Seal Cage	PTFE



Xylem Inc.
8200 N. Austin Avenue
Morton Grove, Illinois 60053
Phone: (847) 966-3700
Fax: (847) 965-8379
www.acfirepump.com

Xylem Inc.
55 Royal Road, Guelph, Ontario
N1H 1T1, Canada
Phone: (519) 821-1900
Fax: (519) 821-5316

