

**SUMMIT**™

**2175**

2175



**Stock / Process  
Pump**



**SUMMIT**™  
**PUMP, Inc**

[www.SUMMITPUMP.com](http://www.SUMMITPUMP.com)

© 2016 SUMMIT PUMP, Inc

# Applications

**Pulp & Paper:**  
 Cleaners  
 Filtrate  
 Liquor  
 Screen Rejects  
 Low NPSH Digester

**Steel:**  
 Cooling Water  
 Descaling  
 Slurries  
 Tailings

**Food:**  
 Beet & Cane Sugar  
 Cane Juices  
 Fruit Pulp  
 Wet Corn Milling  
 Brewing

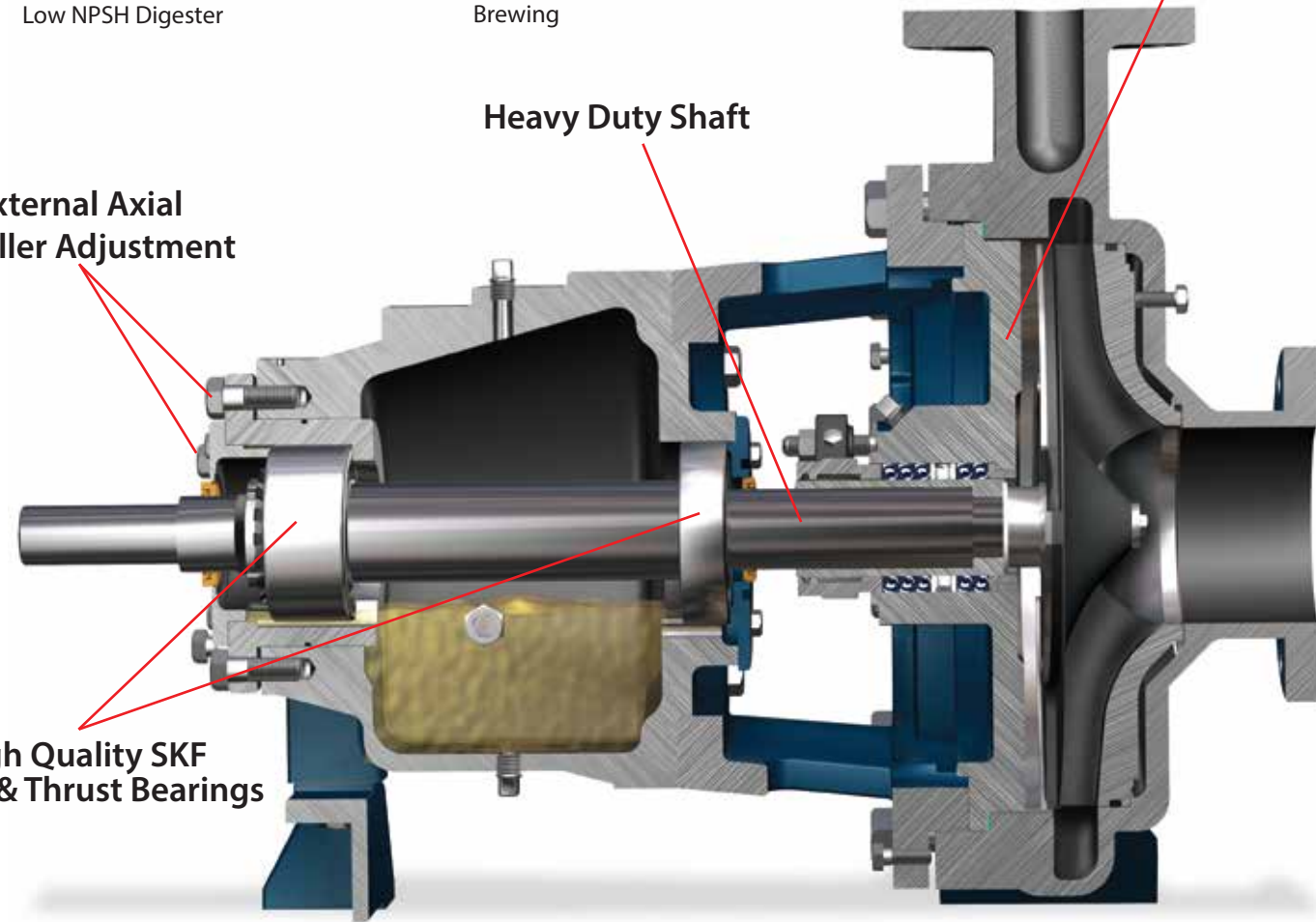
**General:**  
 Mine Water  
 Waste Treatment  
 Textile Slurries

**Open/Non-Clogging Impeller**

**Heavy Duty Shaft**

**External Axial Impeller Adjustment**

**High Quality SKF Radial & Thrust Bearings**



# Features

- Rear Pull-out Design
- Interchangeability of Parts
- Sacrificial Wear Items
- Double Volute for Larger Sized Pumps
- Fully Open Impeller

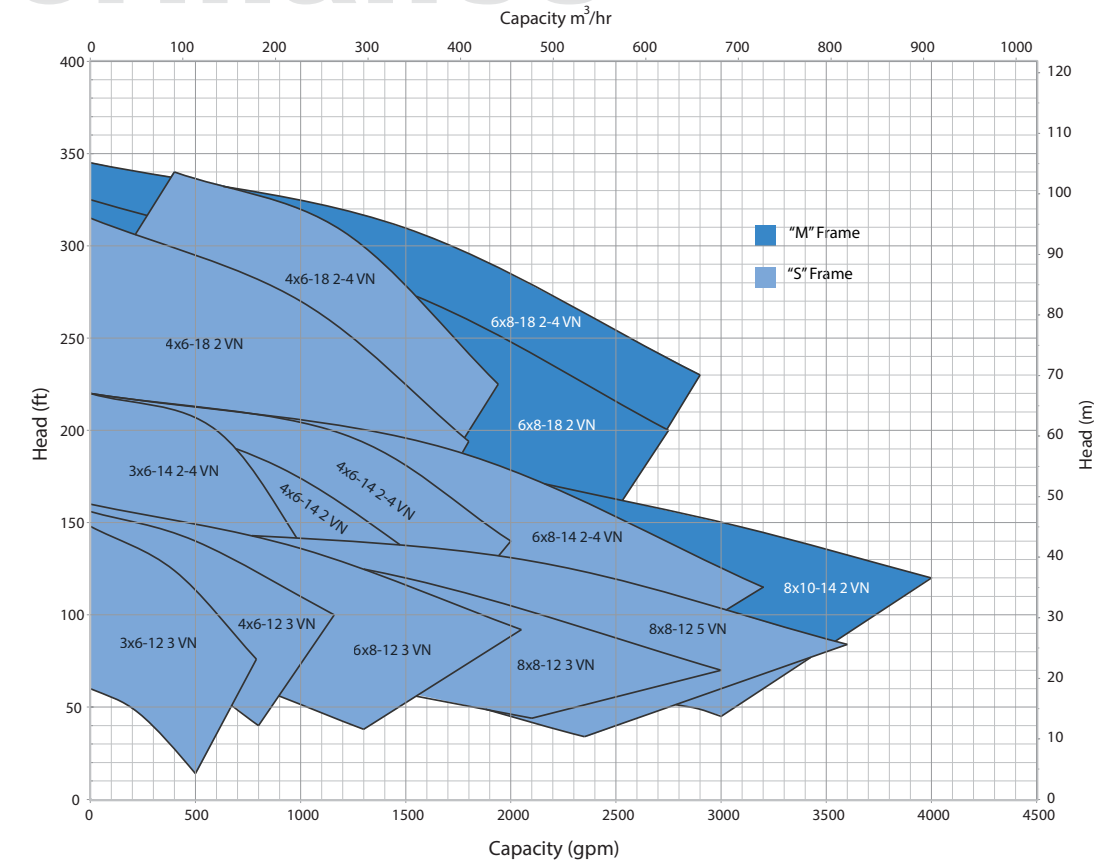


**SUMMIT**™  
**PUMP, Inc**

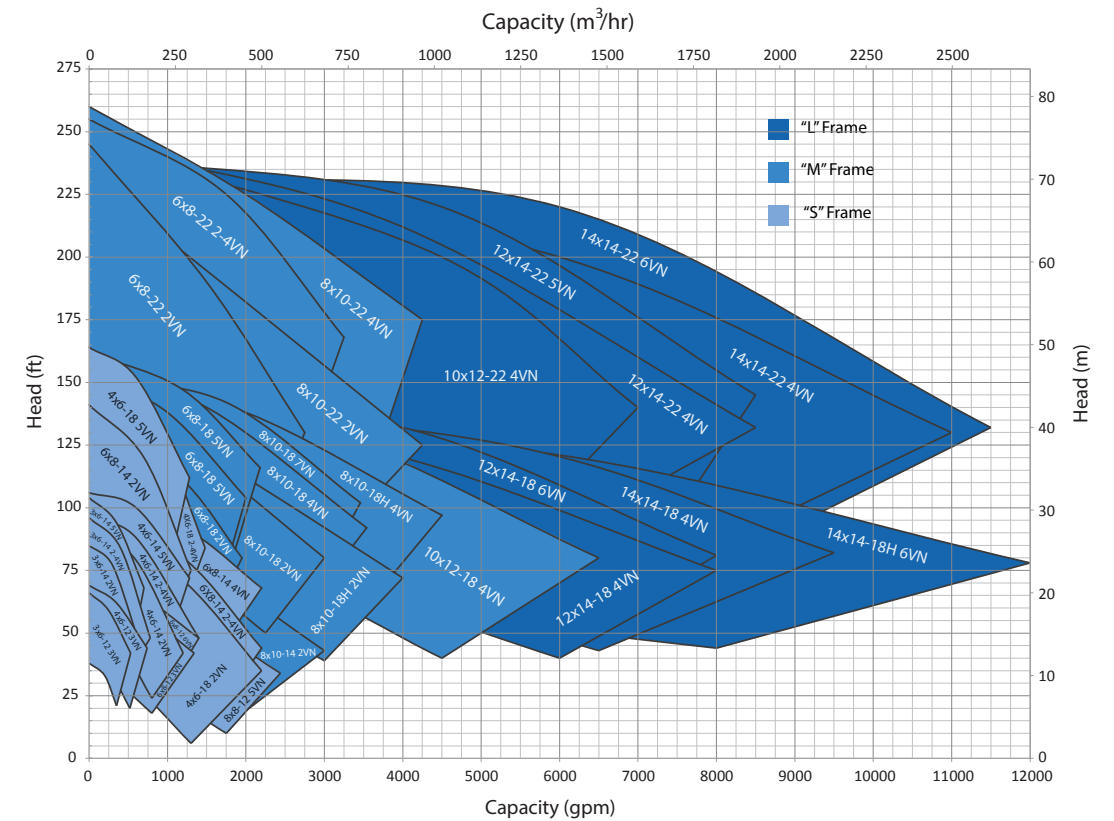
[www.SUMMITPUMP.com](http://www.SUMMITPUMP.com)

# Performance

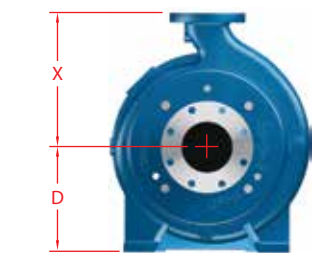
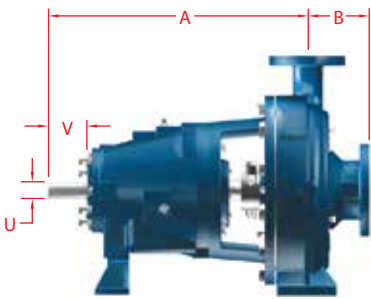
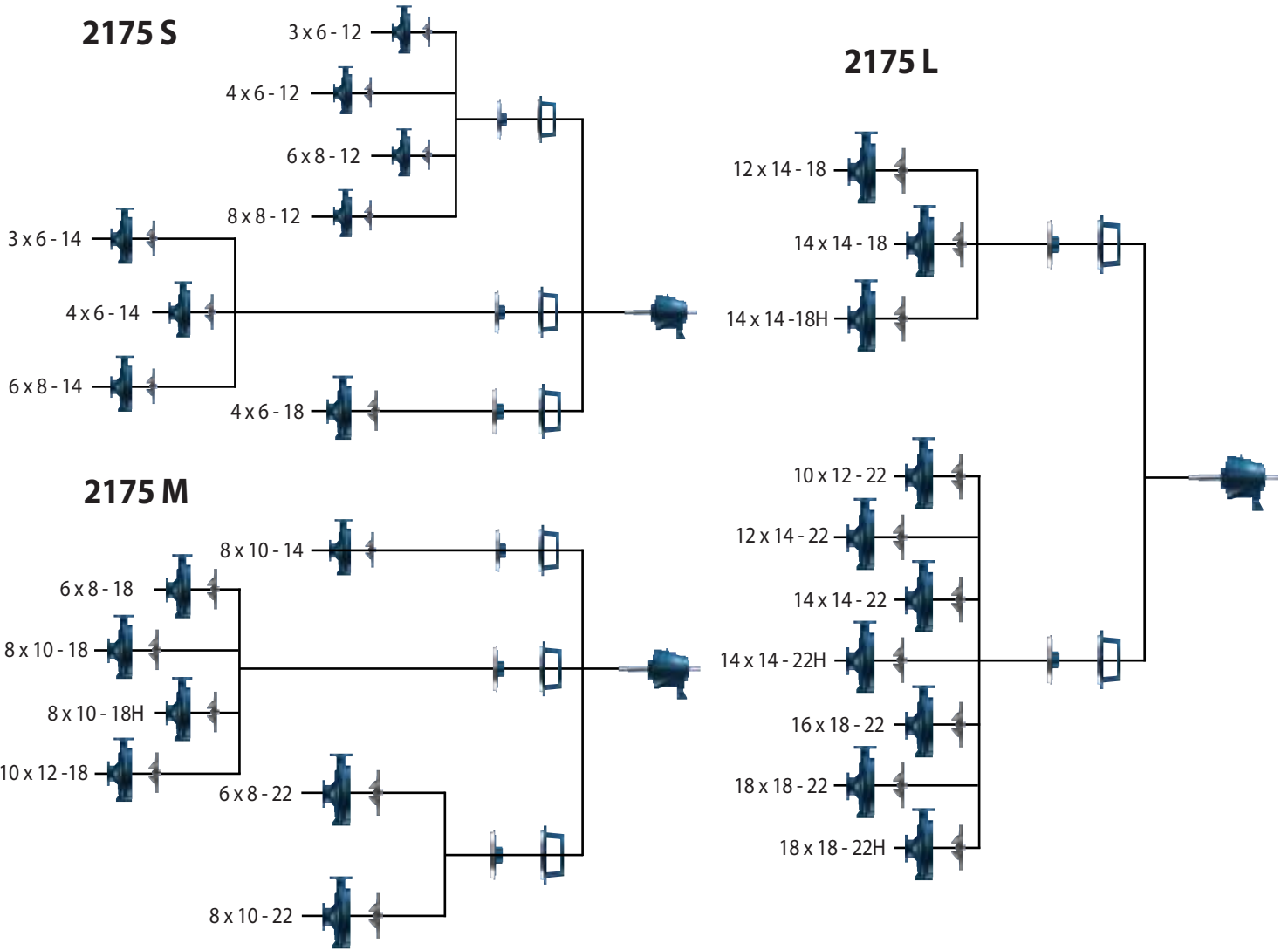
**1780 RPM**



**1180 RPM**



# Model 2175 Interchangeability and Dimensional Chart



Pump Dimensions										
Pump Frame	Pump Size	Dis.	Suc.	X	D	B	A	Shaft		
								U	Key	V
S	3X6-12	3	6	13	12.50	7.25	32.50	1.875	1/2	4.87
	4X6-12	4	6	14.5						
	6X8-12	6	8	16						
	8X8-12	8	8	19	14.50	8.12	33.00			
	3X6-14	3	6	13	12.50	7.25	32.50			
	4X6-14	4	6	14.5						
	4X6-18	4	6	16						
6X8-14	6	8	16	14.50	7.25	32.50				
6X8-18	6	8	18							
6X8-22	6	8	21							
8X10-14	8	10	19		14.50	8.12	33.00	2.375	5/8	5.00
8X10-18	8	10	21							
8X10-18H	8	10	21							
8X10-22	8	10	23		17.00	20.00	33.00			
10X12-18	10	12	23							
10X12-22	10	12	25							
L	12X14-18	12	14	25	20.00	8.12	33.00			
	12X14-22	12	14	27						
	14X14-18	14	14	27						
	14X14-18H	14	14	27	22.00	8.87	33.62			
	14X14-22	14	14	30						
	14X14-22H	14	14	30						
	16X18-22	16	18	32	28.00	12.75	34.68			
	18X18-22	18	18	34		9.87	33.62			
	18X18-22H	18	18	34		16.62				