



TSUNAMI® Pump

TDS/TSB SERIES (ALL #316 SST)

Submersible Vortex Sewage Pump

Sea Water



TSB

TSB (316SST)



TDS

TDS 2~7.5 HP



TDS 1/2~1 HP



Parts and Material List

NO	PART	MTRL	
		TDS	TSB
1	Cable	VCT	VCT
2	Cable Hood	PVC	PVC
9	Handle	Nylon 6/SS41	SUS 304
15	Motor Cover	Nylon 66/FC 200	SUS 316
16	Seal Housing	FC 200	SUS 316
17	Bracket	FC 200	FC 200
18	Oil Chamber	FC 200	SUS 316
20	Pump Casing	FC 200	SUS 316
21	Impeller	FC 200	SUS 316
25	Mech. Seal	CA/CE	SIC/SIC
26	Oil Seal	NBR	Viton
52	Bearing	(NTN)	(NTN)
53	Protector	(T.I./YAMADA)	(T.I./YAMADA)
54	Shaft	SUS 410	SUS 316
65	Motor Housing	SUS 304	SUS 316

Feature:

- Non-clogging, minimized abrasive wear, large impeller clearance, and maintenance free

Application:

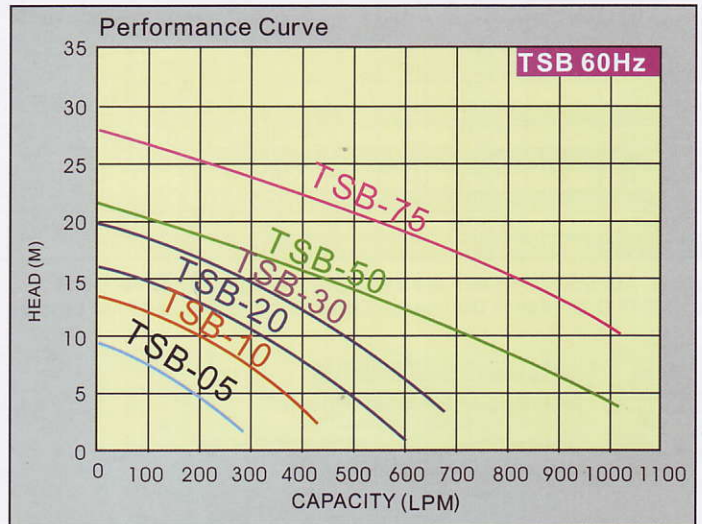
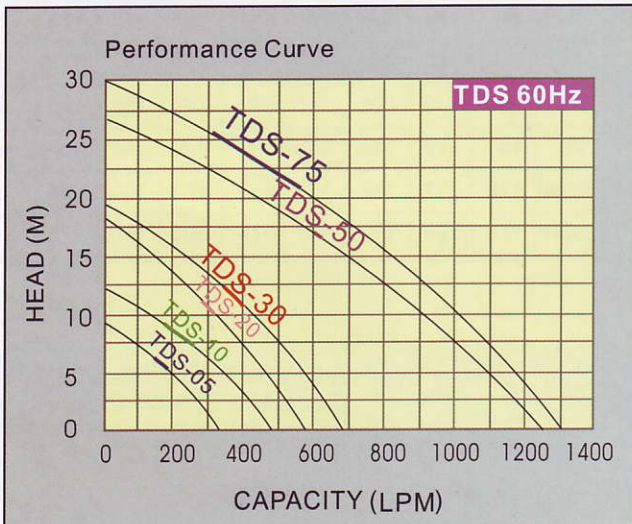
- Medium concentration wastewater, heavy duty,
- TSB type is suitable for PH 3~11 waste water.
- TSB type is also for sea water.



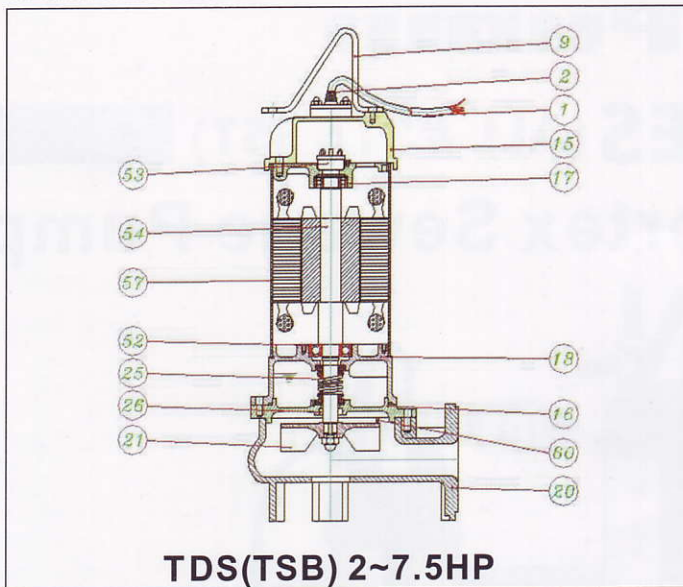
TSB Impeller (SUS 316)



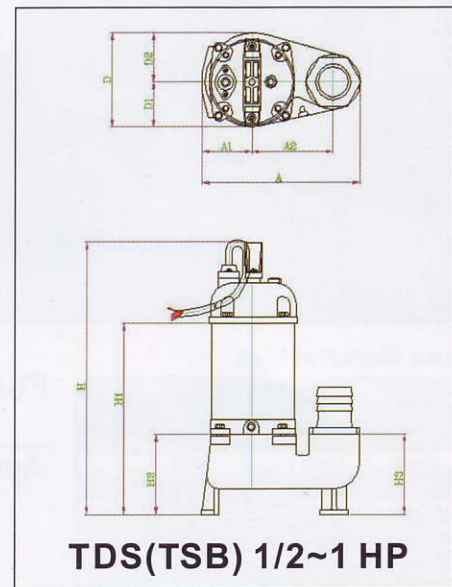
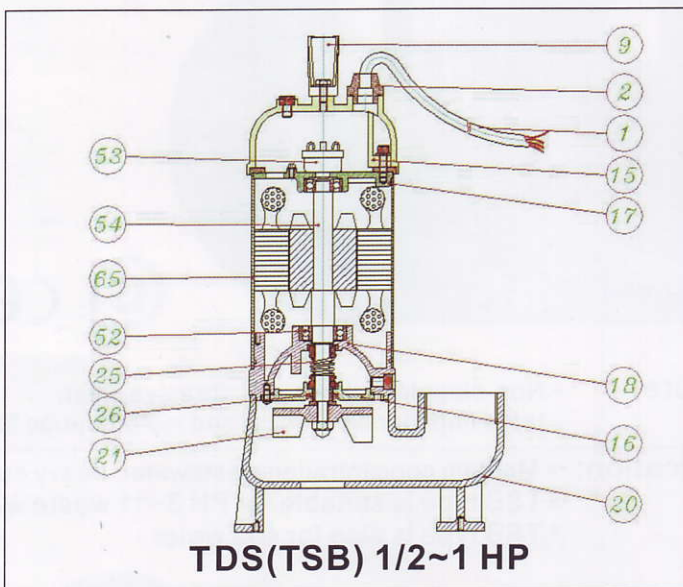
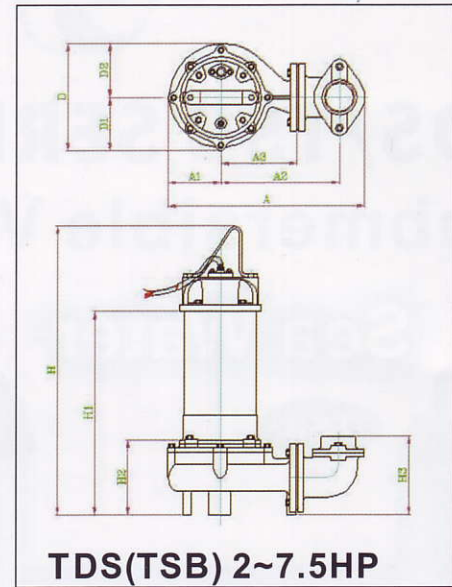
TDS Vortex Impeller



Construction



Dimension



Specifications

Type	Output HP	Discharge Inch	Phase φ	Rated		Maximum		Dimension (mm)											Cable M
				Head M	Capacity LPM	Head M	Capacity LPM	A	A1	A2	A3	D	D1	D2	H	H1	H2	H3	
TDS-05	1/2	2"	1,3	6	180	9.1	334	223	70	115	NA	132	63	69	381	325	112	113	5
TSB-05	1/2	2"	1,3	6	150	9.4	300												
TDS-10	1	2"(3")	1,3	9	225	12	480	223	70	115	NA	132	63	69	411	355	112	113	5
TSB-10	1	2"(3")	1,3	9	225	13.5	430												
TDS-20	2	2"(3")	1,3	11	300	18	590	390	103	235	151	210	105	105	570	400	150	152	5
TSB-20	2	2"(3")	1,3	11	300	16	600												
TDS-30	3	2"(3")	3	12	400	19.5	680	390	103	235	151	210	105	105	590	420	150	152	5
TSB-30	3	2"(3")	3	12	400	20	700												
TDS-50	5	3"(4")	3	17	570	27	1250	458(509)	110	256(294)	176	227	110	117	633	468	160	225	10
TSB-50	5	3"(4")	3	13	550	21	1100												
TDS-75	7 1/2	3"(4")	3	26	550	30	1290	458(509)	110	256(294)	176	227	110	117	673	508	160	225	10
TSB-75	7 1/2	3"(4")	3	20	570	28	1200												

Note1: Automatic models are available in single-phase versions.

Note2: Q.D.C. (Quick Discharge Connection) is applied in all models.



EXCLUSIVE DISTRIBUTOR:

GOTESCO MARKETING, INC.

5th Floor, Ever-Gotesco Corporate Center
1962 Bilibid Viejo St., Quiapo, Manila, Philippines 1001

MANILA Head Office:

Tel #: (63-2) 733-8820 to 30 • Fax #: (63-2) 734-4993 / 734-4997

CEBU Branch:

Tel #: (032) 346-4279 to 81 • Fax #: (032) 346-4282

AUTHORIZED SERVICE CENTER:

GOTESCO SERVICE CENTER, INC.

1129 Natividad Lopez St., Ermita, Manila, Philippines
Tel #: (632) 536-1332 • Telefax: (632) 527-1111

DAVAO Branch:

Tel #: (082) 227-0098 to 99 • Fax #: (082) 227-0098

E-mail: sales@gotesco.com • Web: www.gotesco.com