



TSUNAMI® Pump

Construction

TKS SERIES Submersible Effluent Pump



TKS 2~7.5 HP



TKS 1/2~1 HP



High efficiency impeller



Feature:

- Compact size, modular design, light weighted, easy operation and high quality

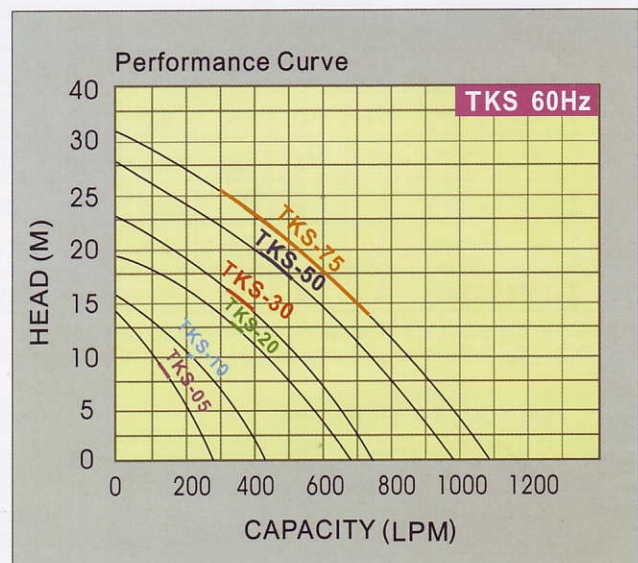
Application:

- light duty, basement drainage, rainwater effluent and accumulated water drainage

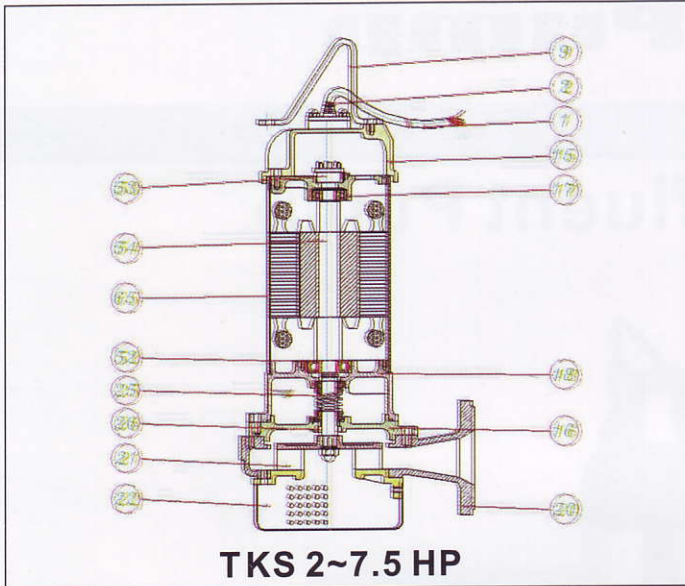


Parts and Material List

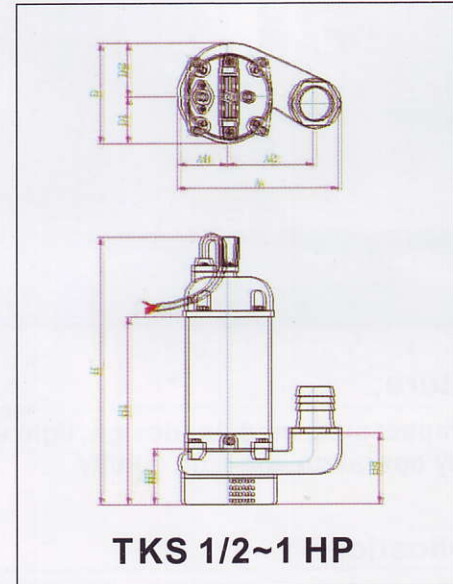
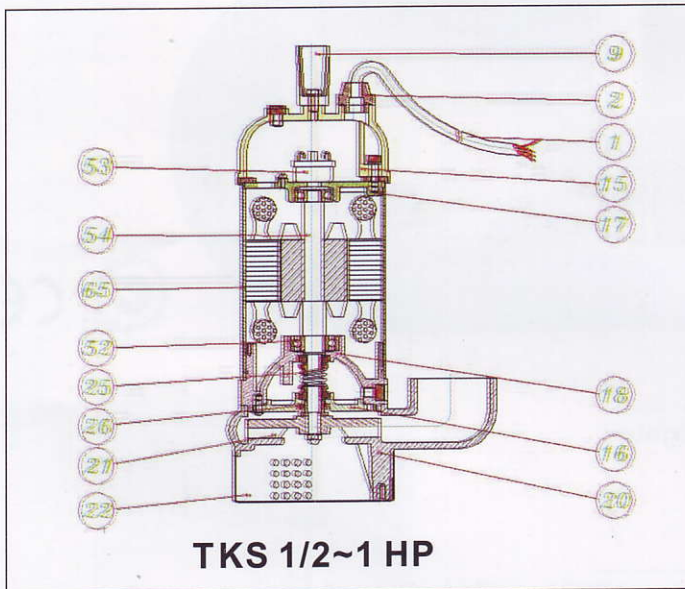
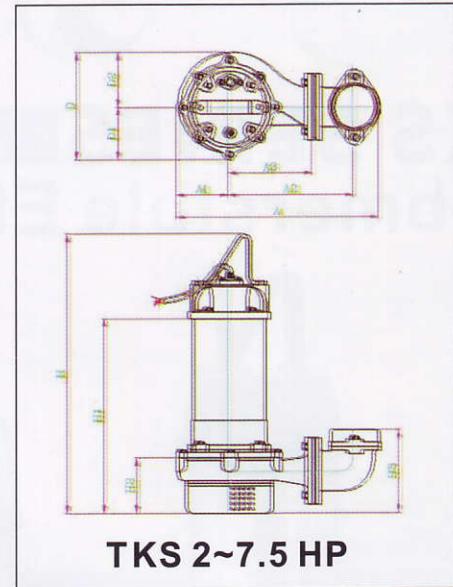
NO	PART	MTRL
1	Cable	VCT
2	Cable hood	PVC
9	Handle	Nylon 6/SS41
15	Motor cover	Nylon 66/FC 200
16	Seal housing	FC 200
17	Bracket	FC 200
18	Oil chamber	FC 200
20	Pump casing	FC 200
21	Impeller	FC 200
22	Strainer	SUS 304
25	Mech. Seal	CA/CE
26	Oil seal	NBR
52	Bearing	NTN
53	Protector	(T.I./YAMADA)
54	Shaft	SUS 410
65	Motor housing	SUS 304



Construction



Dimension



Specifications

Type	Output HP	Discharge Inch	Phase φ	Rated		Maximum		Dimension (mm)											Cable M
				Head M	Capacity LPM	Head M	Capacity LPM	A	A1	A2	A3	D	D1	D2	H	H1	H2	H3	
TKS-05	1/2	2"	1,3	8	150	14	280	229	70	123	NA	141	66	75	350	225	79	100	5
TKS-10	1	2"(3")	1,3	10	210	16.5	410	229	70	123	NA	141	66	75	380	255	79	100	5
TKS-20	2	2"(3")	1,3	12	420	19.2	680	403	103	250	168	212	103	109	555	385	110	163	5
TKS-30	3	2"(3")	3	16	400	22.5	740	403	103	250	168	212	103	109	575	405	110	163	5
TKS-50	5	3"(4")	3	19	500	28.3	990	458(509)	110	256(294)	176	227	110	117	605	440	132	220	10
TKS-75	7 1/2	3"(4")	3	25	600	31	1090	458(509)	110	256(294)	176	227	110	117	645	480	132	220	10

Note1: Automatic models are available in single-phase versions.
 Note2: Q.D.C. (Quick Discharge Connection) is applied in all models.



EXCLUSIVE DISTRIBUTOR:
GOTESCO MARKETING, INC.
 5th Floor, Ever-Gotesco Corporate Center
 1962 Bilibid Viejo St., Quiapo, Manila, Philippines 1001

MANILA Head Office:
 Tel #: (63-2) 733-8820 to 30 • Fax #: (63-2) 734-4993 / 734-4997

CEBU Branch:
 Tel #: (032) 346-4279 to 81 • Fax #: (032) 346-4282

AUTHORIZED SERVICE CENTER:
GOTESCO SERVICE CENTER, INC.
 1129 Natividad Lopez St., Ermita, Manila, Philippines
 Tel #: (632) 536-1332 • Telefax: (632) 527-1111

DAVAO Branch:
 Tel #: (082) 227-0098 to 99 • Fax #: (082) 227-0098

E-mail: sales@gotesco.com • Web: www.gotesco.com